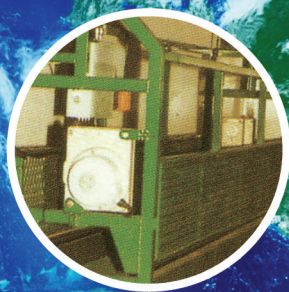
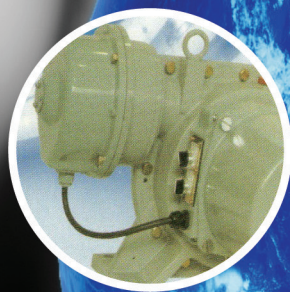


AG Brake Motor

Axial Air Gap Brake Motor

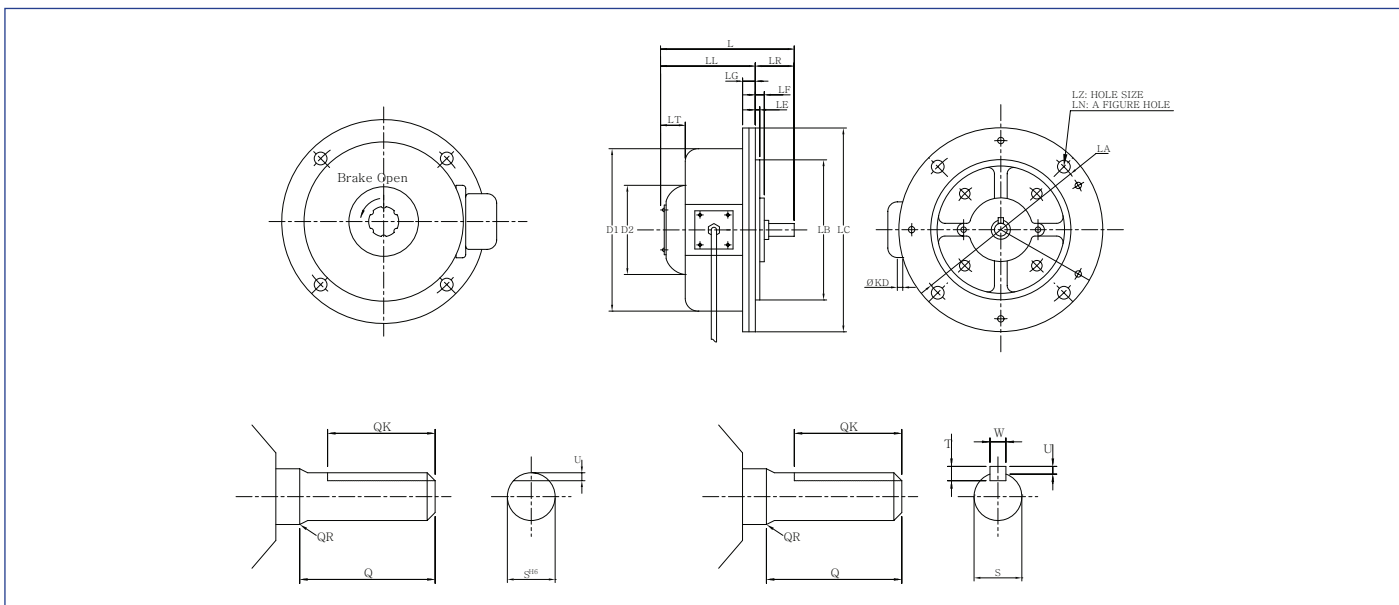


AG Brake Motor (Axial Air Gap Brake Motor)

SPECIFICATIONS

Model	Output (kW)	정격전류			정격회전수			GD ²
		200V/50Hz	200V/60Hz	220V/60Hz	200V/50Hz	200V/60Hz	220V/60Hz	
HAG-20F	0.2	1.45	1.30	1.35	1380	1680	1700	
HAG-20D	0.4	2.5	2.45	2.4	1380	1680	1700	
HAG-20D1	0.55	3.8	3.5	3.4	1400	1680	1700	
HAG-25D	0.75	4.8	3.8	3.8	1400	1690	1710	
HAG-27D1	1.5	8.4	8	7.7	1400	1690	1710	
HAG-27D2	2.2	14.5	12.5	12.2	1420	1690	1710	
HAG-27D3	3.7	26.0	25.0	24.0	1420	1700	1720	

DIMENSION



STANDARD TYPE

POWER (KW)	PO-LES	MODEL NO	L	LA	LB (h7)	LC	LE	LF	LG	LL	LT	LZ	LN	LR	KL	KD	D ₁	D ₂	SHAFT							BEARING	RATING TIME(min)
																			Q	QK	QR	S ⁶	T	U	W		
0.1	4	HAG-15F	151	165	130	180	3	6	11	120	40	7	4	31	120	21	150	62	23	18	1.5	11	-	1	-	6202ZZ 6002ZZ	Continuity
0.2	4	HAG-20F	175	215	180	236	3	6	13	137	40	10	4	38	145	22	194	62	30	25	2	14	5	3	5	6204ZZ 6004ZZ	Continuity
0.4	4	HAG-20D																									Continuity
0.55	4	HAG-20D1																									30Minutes
0.75	4	HAG-25D	223	265	230	300	4	5	18	166	50	15	4	57	175	27	235	62	50	35	2	24	7	4	7	6206ZZ 6006ZZ	Continuity
1.5	4	HAG-27D1	246	300	250	335	5	14	19	180	50	15	4	66	190	27	268	62	50	35	2	24	7	4	7	6207ZZ 6007Z	1Hour
2.2	4	HAG-27D2	246	300	250	335	5	14	19	180	50	15	4	66	190	27	268	62	50	35	2	28	7	4	7	6207ZZ 6007ZZ	30Minutes
3.7	4	HAG-27D3	256	300	250	335	5	14	19	180	50	15	4	76	190	27	268	62	60	45	2	28	7	4	7	6207ZZ 6007ZZ	15Minutes
5.5	4	HAG-30D	256	300	250	335	5	14	19	180	50	15	4	76	190	27	268	62	60	45	2	28	7	4	7	6207ZZ 6007ZZ	5Minutes